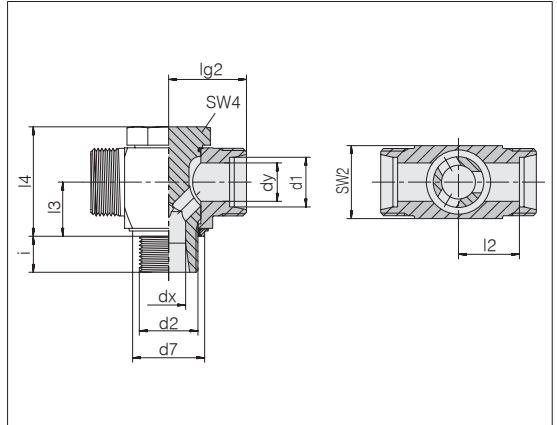


T banjo couplings

Compact version - **High pressure**

Male thread: metric fine thread, cylindrical
 For threaded bores: ISO 9974-1 (Form N - narrow)
 Sealing type: Soft sealing ring (Form E)
 Sealing material: Standard NBR

Tube coupling: 24° in acc. with ISO 8434-1



| Series | d2 | Pressure | d7 | dx | dy | lg2 | l2 | l3 | l4 | SW2 | SW4 | i | Nm -10 % | kg/100 ca. | Order-No. | Designation | |
|--------|----|------------|--------|------|-----|-----|------|------|------|------|-----|----|-------------|---------------|-----------|-------------|---------------------------------|
| L | 6 | M 10 x 1 | PB 500 | 14.9 | 4 | 4 | 20 | 13 | 10 | 21 | 14 | 14 | 8 | 25 | 4.9 | 1154202081 | 24-BCT-L6-M10E-P ¹⁾ |
| L | 8 | M 12 x 1.5 | PB 500 | 17.9 | 5 | 6 | 21 | 14 | 13.5 | 27 | 19 | 19 | 10 | 50 | 8.7 | 1154212081 | 24-BCT-L8-M12E-P ¹⁾ |
| L | 10 | M 14 x 1.5 | PB 500 | 19.9 | 5 | 8 | 22 | 15 | 13.5 | 27 | 19 | 19 | 10 | 60 | 9.5 | 1150972081 | 24-BCT-L10-M14E-P ¹⁾ |
| L | 12 | M 16 x 1.5 | PB 400 | 21.9 | 8 | 10 | 24.5 | 17.5 | 16 | 32.5 | 24 | 22 | 10 | 80 | 15.6 | 1154232081 | 24-BCT-L12-M16E-P ¹⁾ |
| L | 12 | M 18 x 1.5 | PB 315 | 23.9 | 8 | 10 | 27 | 20 | 18.5 | 36 | 24 | 22 | 10 | 100 | 24.1 | 1154242081 | 24-BCT-L12-M18E-P ¹⁾ |
| L | 15 | M 18 x 1.5 | PB 400 | 23.9 | 9.5 | 12 | 27 | 20 | 18.5 | 37 | 27 | 24 | 10 | 100 | 21.7 | 1154252081 | 24-BCT-L15-M18E-P ¹⁾ |
| L | 18 | M 22 x 1.5 | PB 400 | 27.9 | 11 | 15 | 28 | 20.5 | 21.5 | 43 | 30 | 27 | 12 | 140 | 30.3 | 1154262081 | 24-BCT-L18-M22E-P ¹⁾ |
| L | 22 | M 26 x 1.5 | PB 250 | 31.9 | 15 | 19 | 34.5 | 27 | 24 | 48 | 36 | 32 | 16 | 180 | 47.2 | 1154272081 | 24-BCT-L22-M26E-P ¹⁾ |
| L | 28 | M 33 x 2 | PB 250 | 39.9 | 19 | 24 | 39 | 31.5 | 30.5 | 59 | 46 | 41 | 18 | 380 | 90.1 | 1154282081 | 24-BCT-L28-M33E-P ¹⁾ |
| L | 35 | M 42 x 2 | PB 250 | 49.9 | 24 | 30 | 46 | 35.5 | 35.5 | 70 | 55 | 50 | 20 | 500 | 153.5 | 1154292081 | 24-BCT-L35-M42E-P ¹⁾ |
| L | 42 | M 48 x 2 | PB 250 | 55.9 | 31 | 36 | 51 | 40 | 40.5 | 80 | 65 | 55 | 22 | 600 | 218.8 | 1154302081 | 24-BCT-L42-M48E-P ¹⁾ |
| S | 6 | M 12 x 1.5 | PB 500 | 17.9 | 5 | 4 | 23 | 16 | 13.5 | 27 | 19 | 19 | 10 | 50 | 9.8 | 1154312081 | 24-BCT-S6-M12E-P ¹⁾ |
| S | 8 | M 14 x 1.5 | PB 500 | 19.9 | 5 | 5 | 23 | 16 | 13.5 | 27 | 19 | 19 | 10 | 60 | 10.8 | 1154322081 | 24-BCT-S8-M14E-P ¹⁾ |
| S | 10 | M 16 x 1.5 | PB 500 | 21.9 | 8 | 7 | 25.5 | 18 | 16 | 32.5 | 24 | 22 | 10 | 80 | 16.9 | 1154332081 | 24-BCT-S10-M16E-P ¹⁾ |
| S | 12 | M 18 x 1.5 | PB 400 | 23.9 | 9.5 | 8 | 27 | 19.5 | 18.5 | 37 | 27 | 24 | 10 | 110 | 22.2 | 1154342081 | 24-BCT-S12-M18E-P ¹⁾ |
| S | 16 | M 22 x 1.5 | PB 400 | 27.9 | 11 | 12 | 30 | 21.5 | 21.5 | 43 | 30 | 27 | 12 | 140 | 31.2 | 1154362081 | 24-BCT-S16-M22E-P ¹⁾ |
| S | 20 | M 27 x 2 | PB 315 | 32.9 | 15 | 16 | 36.5 | 26 | 24 | 48 | 36 | 32 | 16 | 300 | 51.2 | 1154372081 | 24-BCT-S20-M27E-P ¹⁾ |
| S | 25 | M 33 x 2 | PB 250 | 39.9 | 19 | 20 | 43 | 31 | 30.5 | 59 | 46 | 41 | 18 | 380 | 95.2 | 1154382081 | 24-BCT-S25-M33E-P ¹⁾ |
| S | 30 | M 42 x 2 | PB 250 | 49.9 | 24 | 25 | 50 | 36.5 | 35.5 | 70 | 55 | 50 | 20 | 600 | 157.8 | 1154392081 | 24-BCT-S30-M42E-P ¹⁾ |
| S | 38 | M 48 x 2 | PB 250 | 55.9 | 31 | 32 | 57 | 41 | 40.5 | 80 | 65 | 55 | 22 | 700 | 239.0 | 1154402081 | 24-BCT-S38-M48E-P ¹⁾ |

¹⁾ Standard size

